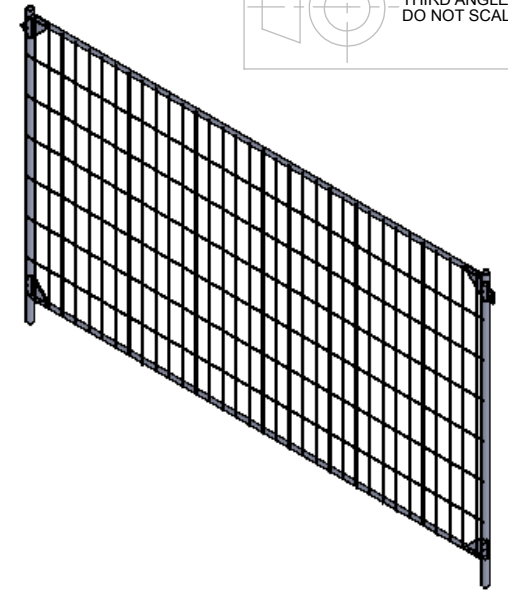
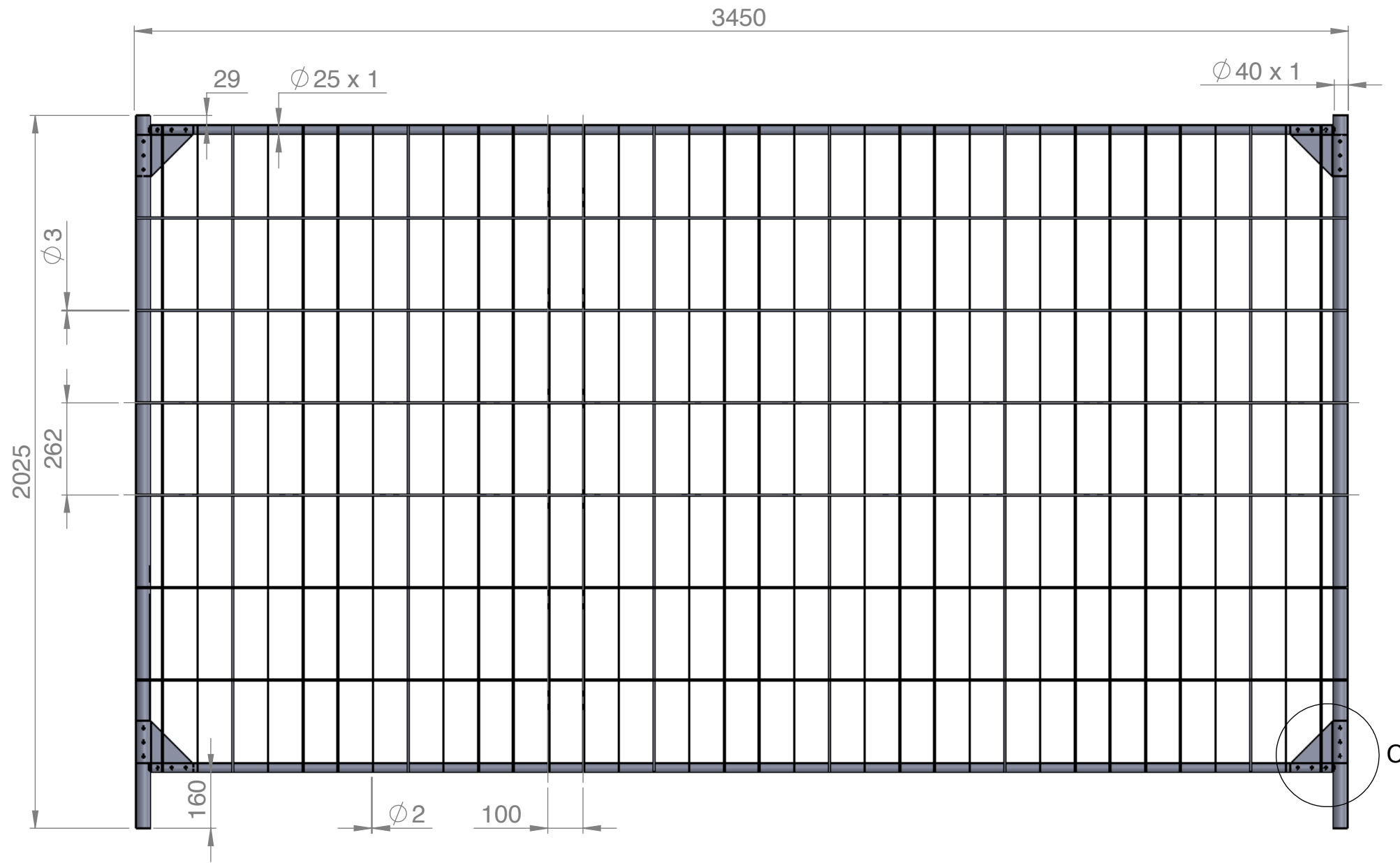
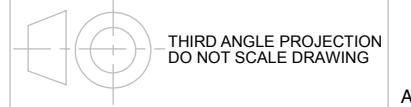
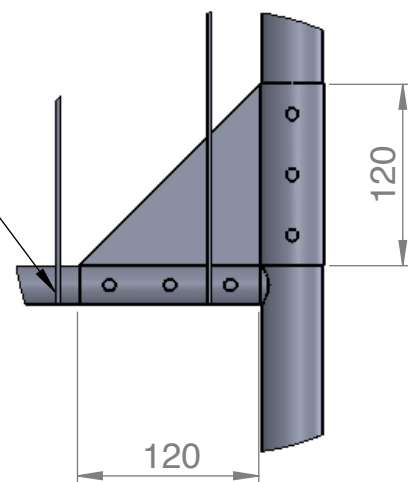


ALL DIMENSIONS IN MILLIMETERS



C (1 : 5)

alle Drähte auf dem Rahmen geschweiss
all wires welded on the frame



TITLE: Bernfjord Standard 25 CP				WEIGHT: 11,5 kg
NAME	SGN	DATE		
DRAWN	BIŃCZAK		08/08/22	
CHK'D				
FINISH: PRE GALVANISED		TOLERANCE: ±5%		



CODE:	10094.1	Revision
SCALE: 1:15	SHEET 1 OF 1	A3